

PAPER HELICOPTER

You will need

A sheet of A4 paper

Scissors

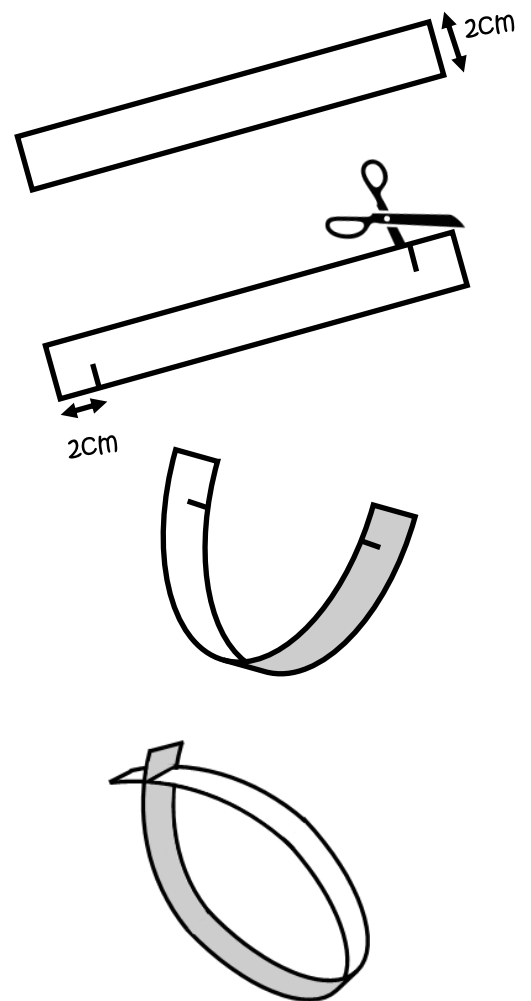
Ruler

Pencil

Colouring crayons (if you want to colour it in)

Instructions

1. Cut a strip of paper 2cm wide from the shorter side of a sheet of A4 paper.
2. At each end of the strip make a cut half way across 2cm from each end. Make sure the cuts are on different sides (see picture).
3. Curl the paper strip so each end meets and slot the cuts together to make a loop. It will look something like a fish!
4. Hold it high and let it go. It should spin as it falls to the ground.



Experiments

Change the design and see what happens! Here are some suggestions:

- Make the paper strip longer or shorter.
- Make it thicker or thinner.
- Change the position of the slots to make a larger or shorter tail.
- Cut the tails into points.